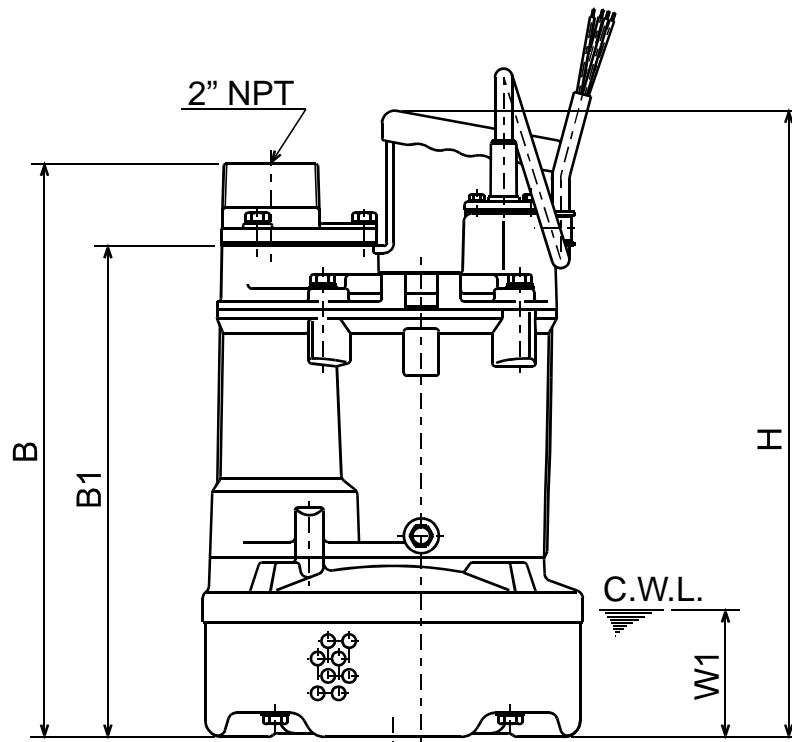

**KTV2-15**  
**KTV2-22**

**C.W.L. : Continuous running Water Level**
**DIMENSIONS:USCS (Inch)**

Model	HP	NOM. SIZE	Pump & Motor						C.W.L.	Wt. (lbs.)
			A	A1	B	B1	D	H	W1	
KTV2-15	2	2"	9 7/16	7 3/4	14 1/4	12 3/16	9 7/16	15 9/16	3 1/8	46
KTV2-22	3	2"	9 7/16	7 3/4	15 1/16	13	9 7/16	16 3/8	3 1/8	51

**DIMENSIONS:METRIC (mm)**

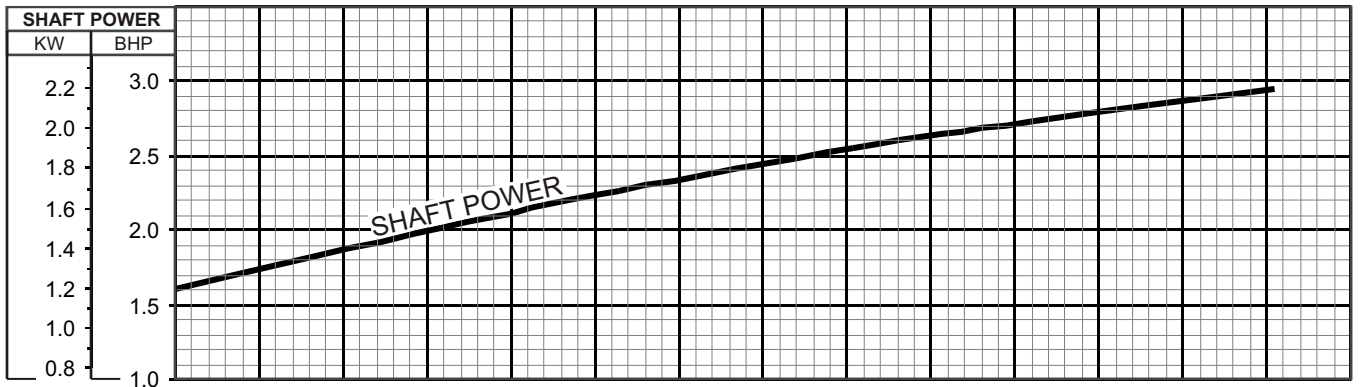
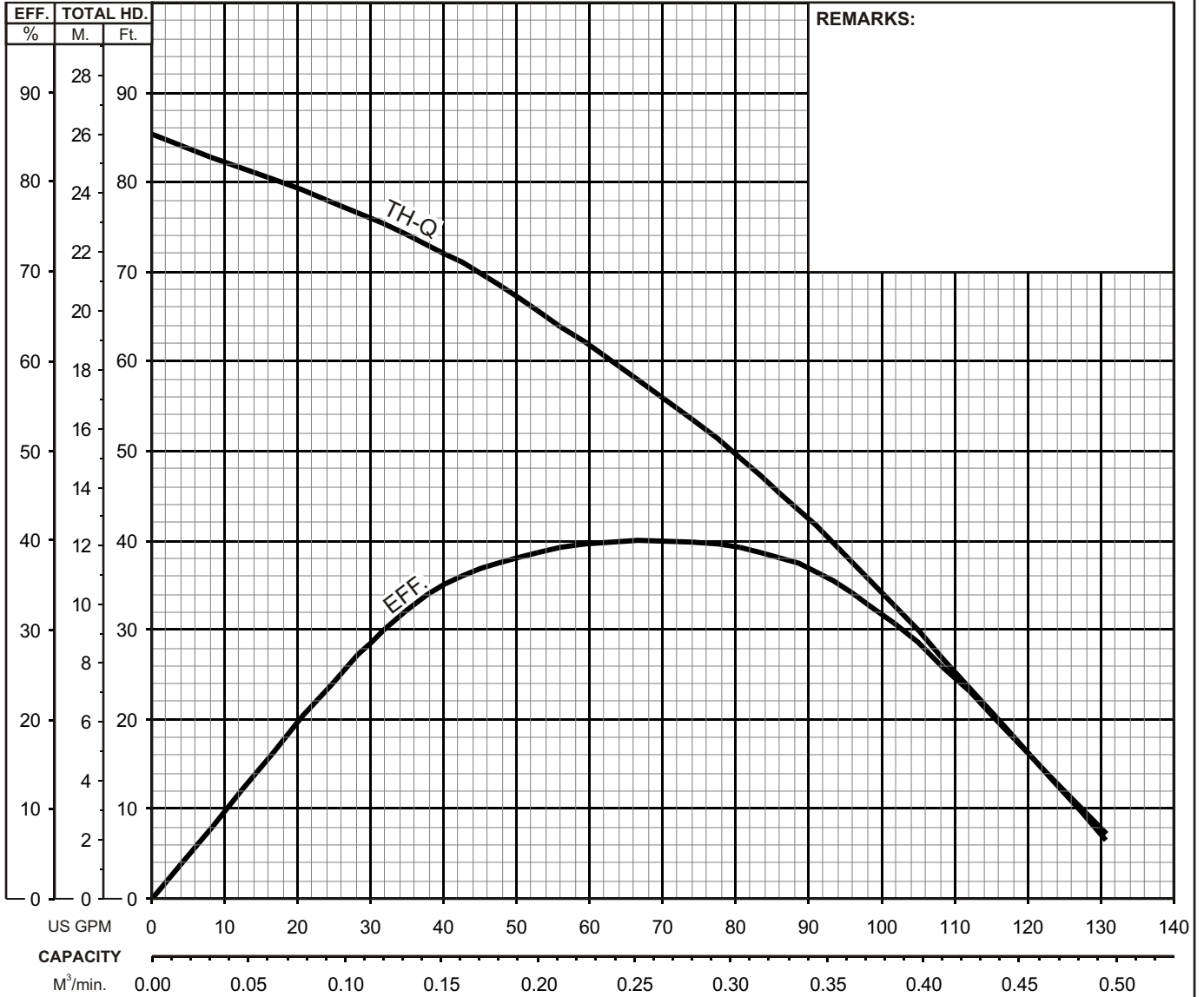
Model	kW	NOM. SIZE	Pump & Motor						C.W.L.	Wt. (kg)
			A	A1	B	B1	D	H	W1	
KTV2-15	1.5	50	240	197	362	310	240	396	80	21.0
KTV2-22	2.2	50	240	197	382	330	240	416	80	23.0

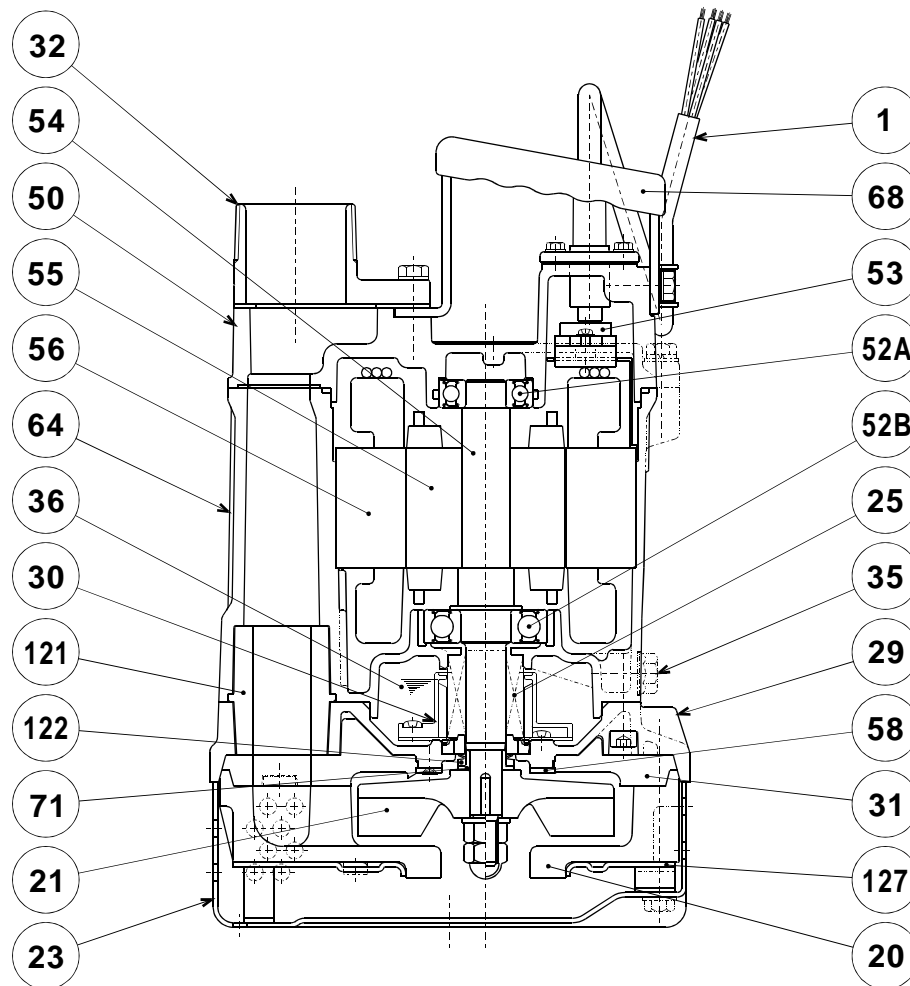


## KTV - SERIES SEMI-VORTEX - DEWATERING PUMPS

## PERFORMANCE CURVE

MODEL	BORE	HP	KW	RPM	SOLIDS DIA	LIQUID	SG.	VISCOSITY	TEMP.
KTV2-22	2"/50mm	3	2.2	3440	0.334"/8.5mm	Water	1.0	1.123 cSt.	60°F
PUMP TYPE		PHASE	VOLTAGE	AMPERAGE		HZ	STARTING METHOD		INS. CLASS
Semi-Vortex - Dewatering Pump		3	208 / 230 / 460 / 575	8.2 / 7.4 / 3.7 / 2.9		60	Direct On Line		E
CURVE No.	DATE	PHASE	VOLTAGE	AMPERAGE		HZ	STARTING METHOD		INS. CLASS
-	-	-	-	-		-	-		-



**TSURUMI PUMP**
**KTV - SERIES**  
**SEMI-VORTEX - DEWATERING PUMPS**
**SECTIONAL VIEW**
**KTV2-15**  
**KTV2-22**

ITEM#	DESCRIPTION	MAIN MATERIAL / NOTE	ASTM, AISI CODE	RELATED EN CODE	Q'TY
1	Power Cable	PVC Sheath AWG16/4-50ft			1
20	Pump Casing	Butadiene Rubber + Natural Rubber			1
21	Impeller	Ductile Cast Iron	A536 100-70-03	EN 1563 GJS-700-2	1
23	Suction Strainer	Steel (Cold Rolled)	A109/A1008	EN 10130	1
25	Mechanical Seal	Silicon Carbide / H-20T			1
29	Oil Casing	Aluminum Alloy Die Casting	B85 A383,0	EN1706 AC-46100	1
30	Oil Lifter	PBT Resin			1
31	Wear Ring	Butadiene Rubber + Natural Rubber			1
32	Discharge Connection	Cast Iron / NPT 2"	A48M Class30B	EN 1561 GJL-200	1
35	Oil Plug	Stainless Steel	S 30400	1.4301	1
36	Lubricant	Turbine Oil ISO VG32 or SAE10W-20			
50	Motor Head Cover	Aluminum Alloy Die Casting	B85 A383,0	EN1706 AC-46100	1
52A	Upper Bearing	#6204ZZC3			1
52B	Lower Bearing	#6305ZZC3			1
53	Motor Protector				1
54	Shaft	Stainless Steel	S 40300	1.4000	1
55	Rotor				1
56	Stator				1
64	Motor Housing	Aluminum Alloy Die Casting	B85 A383,0	EN1706 AC-46100	1
68	Handle	Steel (Cold Rolled) + Nitrile Butadiene Rubber	A109/A1008	EN 10130	1
71	Shaft Sleeve	Stainless Steel	S 30400	1.4301	1
121	Duct Sleeve	Styrene Butadiene Rubber			1
122	V-Ring	Nitrile Butadiene Rubber			1
127	Fixing Plate	Steel (Cold Rolled)	A109/A1008	EN 10130	1

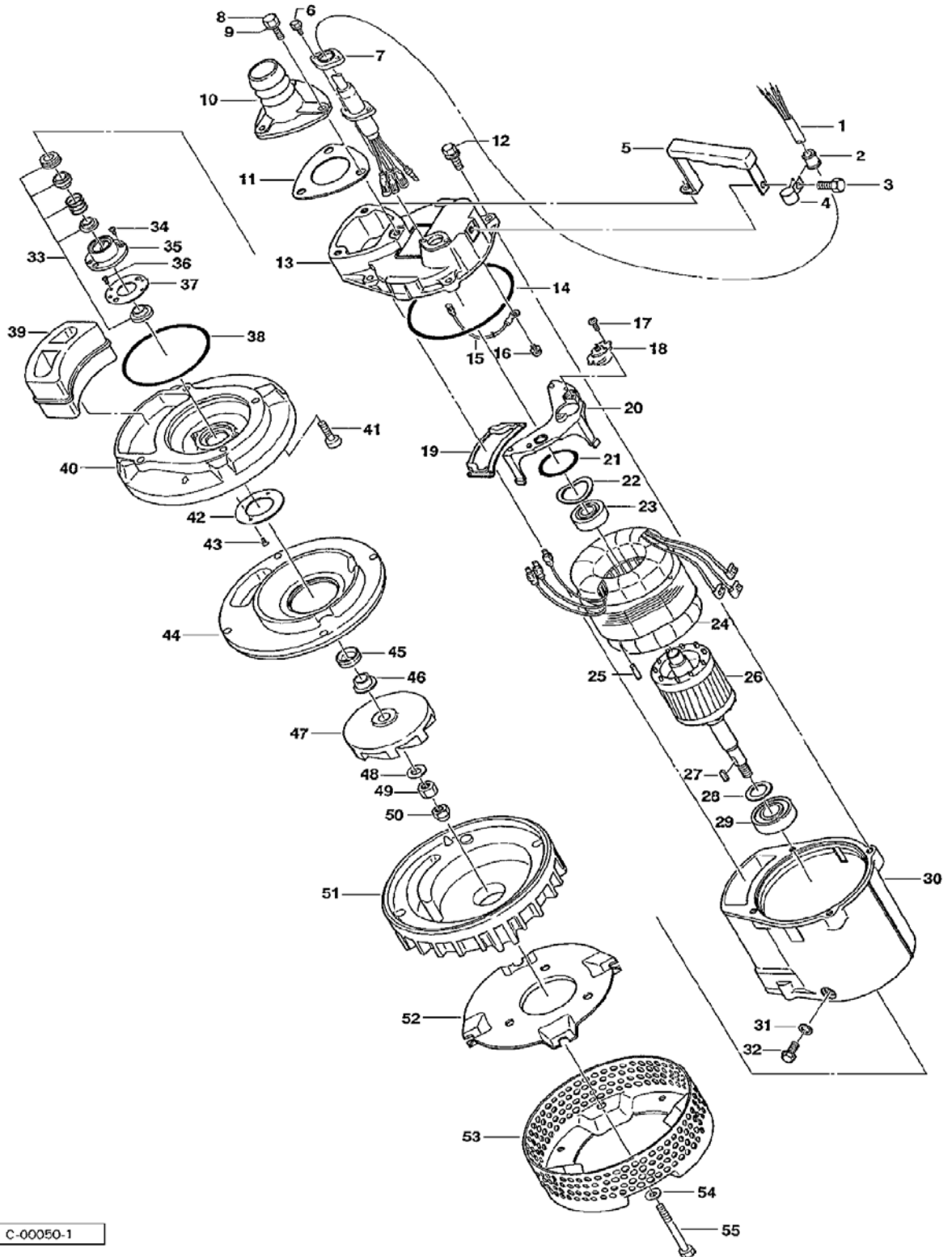
PARTS LIST		LIGHTWEIGHT DEWATERING PUMPS			6/27/2016	
ITEM	PART No.	DESCRIPTION	QTY	SIZE	MATERIAL	NOTES
1	001-803-33	Cabtyre Cable Set (50') 60Hz(USA)	1	VCT4Cx1.25mm2	LBT	
2	010-126-17	Cable Clip Rubber	1	HS2	NBR	
3	140-487-15	Hex.Bolt (w/plain washer)	1	M8x20	SUS304	
4	010-130-14	Cable Clip	1	HK2-4/15	SPC	
5	068-248-15	Handle	1	KTV2-15/22	SPC+NBR	
6	140-427-17	Hex.Bolt (w/Plain Washer)	2	M5x15	SUS304	
7	003-190-10	Gland	1		SUS316	
8	140-056-11	Hex.Bolt	3	M8x30	SUS304	
9	142-210-11	Plain Washer	3	d8.6xd13.4x1t	SUS304	
10	032-351-11	Hose Coupling 2" NPT	1	NPT-2(KTV2-15)	FC	
	032-355-15	Hose Coupling 3" NPT (optional)	1	NPT-3	FC	OPTIONAL
11	121-001-09	Packing	1	KTV2-15/22	NBR	*
12	140-432-15	Hex.Bolt (w/Spring Washer/Plain Washer)	4	M8x30	SUS304	
13	050-000-45	Motor Bracket	1		ADC	
14	122-473-12	O-Ring	1	150xd3.3	NBR	*
15		Earth Terminal	1Set	1.25mm2x115l		
16	143-000-64	Pan Tapping Screw	1	M4x6	SUS410	
17	143-138-17	Truss Tapping Screw	2	M4x12	SWCH	
18	053-407-18	Motor Protector 220V-60Hz(USA)	1	KA313-GDXL103	(T)	
	053-411-15	Motor Protector 440V-60Hz(USA)	1	KA313-GQXL104	(T)	
		Motor Protector 575V-60Hz(USA)	1		(T)	
19	121-445-12	Packing (Water Way, Upp.)	1	KTV2-15/22	NBR	*
20	058-167-18	Protection Plate	1	KTV2-15/22	Bakelite	
21	122-293-16	O-Ring	1	47xd3.1	NBR	*
22	142-195-19	Wave Washer	1	6204/6303(d47x,0.3t)	SK5	
23	052-103-18	Bearing	1	6204ZCC3		
24	056-663-13	Stator 220V-60Hz(USA)	1Set			
	056-724-13	Stator 440V-60Hz(USA)	1Set			
		Stator 575V-60Hz(USA)	1Set			
25	145-028-19	Stator Set Pin	1	d6x32	S45C	
26	055-662-19	Rotor	1Set	w/Bearing		
27	147-128-16	Impeller Key	1	5x5x18.5L	SUS403	
28	061-161-12	Bearing Collar	1	d25.1xd36x1.6t	SPC	
29	052-108-13	Bearing	1	6305ZCC3		
30	064-000-84	Motor Frame	1		ADC	
31	121-246-11	Packing	1	d10.3xd16x2t	PE	*
32	035-125-13	Oil Plug	1	M10x20(B=13)	SUS304	
33	025-243-17	Mechanical Seal	1	H-20T	SIC	

PARTS LIST		LIGHTWEIGHT DEWATERING PUMPS				6/27/2016
ITEM	PART No.	DESCRIPTION	QTY	SIZE	MATERIAL	NOTES
34	143-070-23	Pan Screw	2	M5x6	SWRM	
35	030-144-13	Oil Lifter	1	H-20(A)(T)	Resin	
36	143-070-10	Pan Screw	2	M5x6	SWRM	
37	030-155-17	Seal Stopper	1	H-20(KTV2)	SPCC	
38	122-134-18	O-Ring	1	G-115(114.4xd3.1)	NBR	*
39	121-001-04	Packing (Water Way, Low.)	1	KTV2-15/22	SBR	*
40	029-000-77	Oil Casing	1	KTV2-15/22	ADC	interchangeable with OLD part#029-408-14
41	140-270-13	Hex.Socket Cap Bolt	4	M8x30	SUS304	
42	058-000-25	Protection Plate	1	d41xd70x3t	SUS304	interchangeable with OLD part#058-000-10
43	143-166-14	Flat Screw	2	M4x8	SUS304	
44	031-000-08	Wear Ring	1	KTV2-15/22	BR+NR	
45	122-443-13	V-Ring	1	VR-20	NBR	
46	071-297-19	Shaft Sleeve	1	d16xd20x10l	SUS304	
47	021F7519	Impeller (60Hz)	1	60Hz	FCD	
48	142-129-25	Plain Washer	1	M12	SPC	
49	141-007-10	Hex.Nut	1	M12	SUS304	
50	141-032-14	Hex.Cap Nut	1	M12	SUS304	
51	020B1918	Pump Casing	1	KTV2-15/22	BR+NR	
52	127-249-12	Fixing Plate	1	KTV2-15/22	SPCC	
53	023-432-19	Strainer Stand	1	KTV2-15/22	SPCC	
54	142-127-23	Plain Washer	4	M8	SPC	
55	140-067-15	Hex.Bolt	4	M8x85	SUS304	
	173-472-19	<b>Packing O-Ring Set</b>	1Set	(Marked by *)		
11	121-001-09	Packing (Hose Coupling)	1	KTV2-15/22	NBR	*
14	122-473-12	O-Ring (M.Bracket/M.Frame)	1	150xd3.3	NBR	*
19	121-445-12	Packing (Water Way, Upp.)	1	KTV2-15/22	NBR	*
21	122-293-16	O-Ring (Upp. Bearing)	1	47xd3.1	NBR	*
31	121-246-11	Packing (Oil Plug)	1	d10.3xd16x2t	PE	*
38	122-134-18	O-Ring (M.Frame/O.Casing)	1	G-115(114.4xd3.1)	NBR	*
39	121-001-04	Packing (Water Way, Low.)	1	KTV2-15/22	SBR	*
		Lubricant		Turbine Oil VG32 270ml		

PARTS LIST		LIGHTWEIGHT DEWATERING PUMPS			6/27/2016	
ITEM	PART No.	DESCRIPTION	QTY	SIZE	MATERIAL	NOTES

## EXPLODED VIEW

KTV2-15/22



C-00050-1